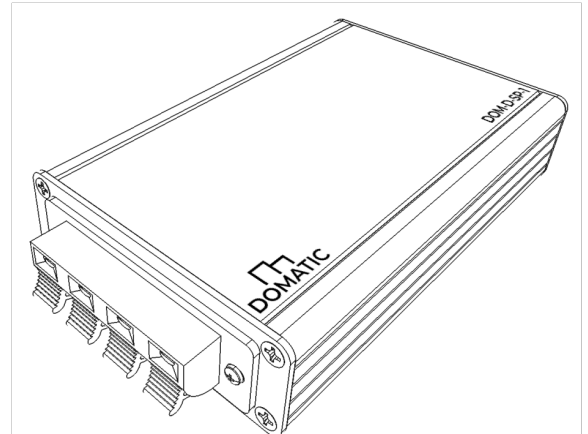


80W Speaker Amplifier

DOM-D-SP-1 | 2× 40 W Stereo | AirPlay · Chromecast | Domatic Bus

The 80W Speaker Amplifier drives a stereo speaker pair at up to 40 W per channel from a single Domatic Bus connection. With support from the PowerHub it presents itself on the building network as an available speaker target – playable from any iPhone, iPad, Mac (via Apple AirPlay) or Android phone, Chrome browser, or Google Cast app (via Google Chromecast).

Active player session metadata – track, artist, artwork, position, play state – is available to applications on the Domatic PowerHub, enabling rich player-control surfaces on wall-mounted touchscreens and other in-home interfaces.



Key Features

- ✓ Stereo amplifier – up to 40 W per channel
- ✓ Apple AirPlay receiver
- ✓ Google Chromecast receiver
- ✓ Player session metadata (track, artist, artwork, position, state) exposed to PowerHub applications
- ✓ Drives wall-mounted touchscreen player-control UIs through the PowerHub
- ✓ Single 2-wire CL2 input from the Domatic Bus – power and control on the same pair
- ✓ Native Domatic Bus interface – no separate Ethernet or audio routing required at the device
- ✓ Discoverability and per-device behavior managed in software via the PowerHub

Audio Specifications

Configuration	Stereo (left + right)
Output Power	Up to 40 W per channel
Speaker Impedance	TBD
Frequency Response	TBD
THD+N	TBD
Signal-to-Noise Ratio	TBD

Streaming Protocols

Protocol	Source Devices	Notes
Apple AirPlay	iPhone · iPad · Mac · iTunes	Discoverable as a standard AirPlay target on the building network

Protocol	Source Devices	Notes
Google Chromecast	Android · Chrome · Cast-enabled apps	Discoverable as a standard Cast target on the building network

Note Network discoverability and per-device naming, grouping, and access control are managed by the PowerHub.

PowerHub Integration

Controller	Domatic PowerHub (required)
Discoverability	Advertised on the building network with PowerHub support
Metadata API	Active session metadata available to PowerHub applications – track title, artist, album, artwork, playback position, play/pause state
UI Targets	Wall-mounted touchscreens and other PowerHub-driven control surfaces
Configuration	Device name, room/zone grouping, source permissions – software-configurable via the PowerHub

Electrical Specifications

Input – Domatic Bus

Input Voltage	Nominal 48 VDC (Domatic Bus)
Communication	Domatic Bus (IEEE 1901 HD-PLC over the same 2-wire pair as power)
Power Source	Domatic PowerHub output port
Max Input Power	TBD

Output – Speakers

Channels	2 (left, right)
Output Power	40 W per channel max
Output Connectors	One pin connector per side, each with + and – terminals

I/O Configuration

I/O	Connector	Description
Domatic Bus Input	Molex Mini-Fit, 2-pin	48 VDC and Domatic Bus protocol on the same pair. Mates with PowerHub output ports.
Left Speaker Output	Pin connector (+ / –)	Drives a single speaker on the left channel.
Right Speaker Output	Pin connector (+ / –)	Drives a single speaker on the right channel.

Mechanical Specifications

Dimensions	TBD
Weight	TBD
Enclosure Material	TBD



80W Speaker Amplifier

DOM-D-SP-1 | 2x 40 W Stereo | AirPlay · Chromecast | Domatic Bus

Mounting	TBD
----------	-----

Environmental Specifications

Operating Temperature	TBD
Humidity	TBD
Installation	Indoor only

Standards & Compliance

Safety	TBD
Power Source	NEC Class 2 from the PowerHub output
Streaming	Apple AirPlay, Google Chromecast

Ordering Information

Model Number	Description
DOM-D-SP-1	Speaker Amplifier – 2x 40 W, AirPlay + Chromecast, Domatic Bus

DRAFT